



Revised in November 2019

Low power high durable Miniature OCXO

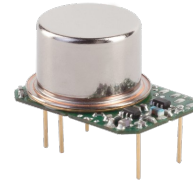
Features

Very small sizes
 8 mm height is available
 Ultra low power consumption: 0.23W at +25°C
 Very high mechanical strength: to up 1000G, 0,5 ms shocks,
 Vibration 30G to 2000Hz sine
 High frequency stability: to ± 10 ppb over -40°C to 85°C
 Fast warming up: 60s
 Operational frequency range: 8 – 100 MHz

Typical Applications

Portable and battery fed wireless
 Mobile test equipment
 Beacons & Rescue systems
 Equipment working at severe mechanical factors

14 DIP compatible

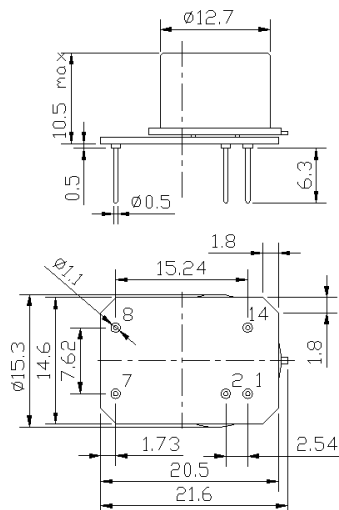


RoHS compliant

Description

The MXO37 series uses the internal heating resonator (IHR) technology with arrangement of the whole oven system together with the crystal plate inside the TO-8 vacuum holder. Such approach results in radical reduction of the OCXO sizes, power consumption and its warm-up time providing at that excellent temperature stability, low phase-noise and aging. The MXO37/14D model utilizes essentially strengthened mechanical construction of the IHR enabling extraordinary mechanical durability.

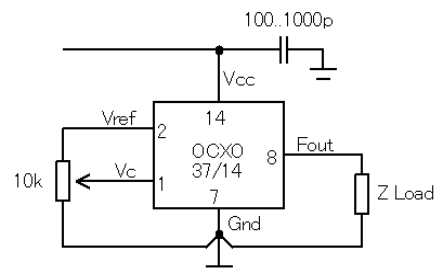
Physical Dimensions



8 mm height is available. Please consult the factory.

The manufacturer reserves the right to reduce the external dimensions without changing of connecting dimensions.

Pin Connections



Pin	Signal
1	Electrical tuning
2	Reference voltage
7	GND
8	RF Out
14	+V Supply

Revised in November 2019

Specification

Parameter	Sym.	Conditions	Value			Unit	Note	
			Min.	Typ.	Max.			
Frequency range	f_0		8		100	MHz		
Initial tolerance	$(f-f_0)/f_0$	+25°C, $V_{cc}=0.5*V_{ref}$		±0.1		ppm		
RF output								
HCMOS (TTL) option	Load		10		15/5	kOhm pF	10/100 MHz	
	H-level voltage	V_{Hi}	$V_{cc}=5V$ $V_{cc}=3.3V$	3.7 2.4		V		
	L-level voltage	V_{Li}			0.4	V		
	Duty cycle			45		55	%	
	Rise/Fall time					10/3	ns	10/100 MHz
Sine-wave option	Level	L	$V_{cc}=5V$ $V_{cc}=3.3V$	+7 +4		dBm		
	Load	R_L			50	Ohm		
	Harmonics level					-25	dBc	
Sub-harmonics level				none				
Power supply								
Voltage	V_{cc}		4.75 3.15	5.0 3.3	5.25 3.45	V		
Power consumption		Warm-up time Steady state, +25°C			1200 230	mW	10MHz, -40°C..85°C	
Warm-up time	t_{up}	at +25°C to $\Delta f/f=1e-7$ at +25°C to $\Delta f/f=1e-8$		60 120		s	ref. to freq. after 15 min. of operation	
Frequency control								
Control voltage range	V_c	$V_{cc}=5V$ $V_{cc}=3.3V$	0 0		4.2 2.8	V		
Tuning range		Compliance with 10 years of aging	±0.3	±1.0		ppm	positive slope	
Reference voltage	V_{ref}	$V_{cc}=5V$ $V_{cc}=3.3V$	4.1 2.7	4.2 2.8	4.3 2.9	V		
Frequency stability								
vs. temperature		ref. 25°C, air flow 0.5 m/s max.	±5.0			ppb	See ordering code	
vs. supply voltage		ref V_{cc} typ.		±2.0		ppb		
G – sensitivity		worst direction, 0 – 1kHz vibration BW (for 0 – 2kHz BW consult the factory)	±0.2	±1.0		ppb/G		
Retrace		24h work after 24h off			±10	ppb	10MHz	
SSB Phase noise		1 Hz	-105/----		-85/----	dBc/Hz	10/100MHz $V_{cc}=5V$	
		10 Hz	-135/-100		-115/-85			
		100 Hz	-155/-130		-143/-115			
		1 kHz	-165/-155		-150/-148			
		10 kHz	-170/-170		-165/-165			
		100 kHz	-172/-172		-165/-165			
Allan deviation		1 s	5		30	e-12	10MHz	
Aging	per day	after 30 days of operation	±0.1			ppb	10MHz see ordering code	
	first year		±0.015			ppm		
Environmental, mechanical conditions								
Airflow velocity	0.5 m/s maximum							
Operating temperature range	See ordering code							
Storage temperature range	-60°C to +85°C							
Power voltage	-0.5V to $V_{cc}+20\%$							
Control voltage	-0.5V to 6V							
Humidity	Non-condensing 95%							
Mechanical shock	Per MIL-STD-202, 500G half sine pulse, 1ms (1000G half sine pulse, 0,5ms - are available as option)							
Vibration	Per MIL-STD-202, 30G swept sine 0 to 2000Hz							
Soldering conditions	Hand solder only – not reflow compatible. 260°C 10s (on pins)							
Washing Conditions	Washing with water or alcohol based detergent allowed only with final enough drying stage							

For ordering code – see next page

Revised in November 2019

Ordering code

MXO37/14D	F	18	C	5	S	- 10 МГц
	1	2	3	4	5	

1	Temperature range
Code	Specification
A	0°C..50°C
B	-10°C..60°C
C	0°C..70°C
D	-20°C..70°C
E	-30°C..70°C
F	-40°C..85°C
G	-55°C..85°C
Q	-60°C..85°C

2	Stability over temperature			
Code	Specific.	Temperature range code available for 10MHz 5V	Temperature range code available for 100MHz 5V	
XY	±Xe-Y			
59	±5e-9	A, B, C		-
18	±1e-8	A, B, C, D, E, F, G, Q		-
28	±2e-8	A, B, C, D, E, F, G, Q		A
38	±3e-8	A, B, C, D, E, F, G, Q		A, B
58	±5e-8	A, B, C, D, E, F, G, Q		A, B, C, D, E
17	±1e-7	A, B, C, D, E, F, G, Q		A, B, C, D, E, F, G, Q

3	Aging per day/year, ppb/ppm	
Code	Specification	
A	0.1/0.015*	≤10 MHz
B	0.2/0.02	
Z	0.3/0.03	
C	0.5/0.05	≤20 MHz
D	1/0.1	≤40 MHz
E	1.5/0.15	≤50 MHz
F	2/0.2	≤100 MHz
G	3/0.3	
H	5/0.5	≤100 MHz

* available for temperature range A,B,C,D,E

4	Supply voltage
Code	Specification
3	3.3V±5%
5	5V±5%

5	Output
Code	Specification
T	HSMOS
S	Sine wave

Deviation of the parameters is possible on customer's requirements. Please consult the factory.